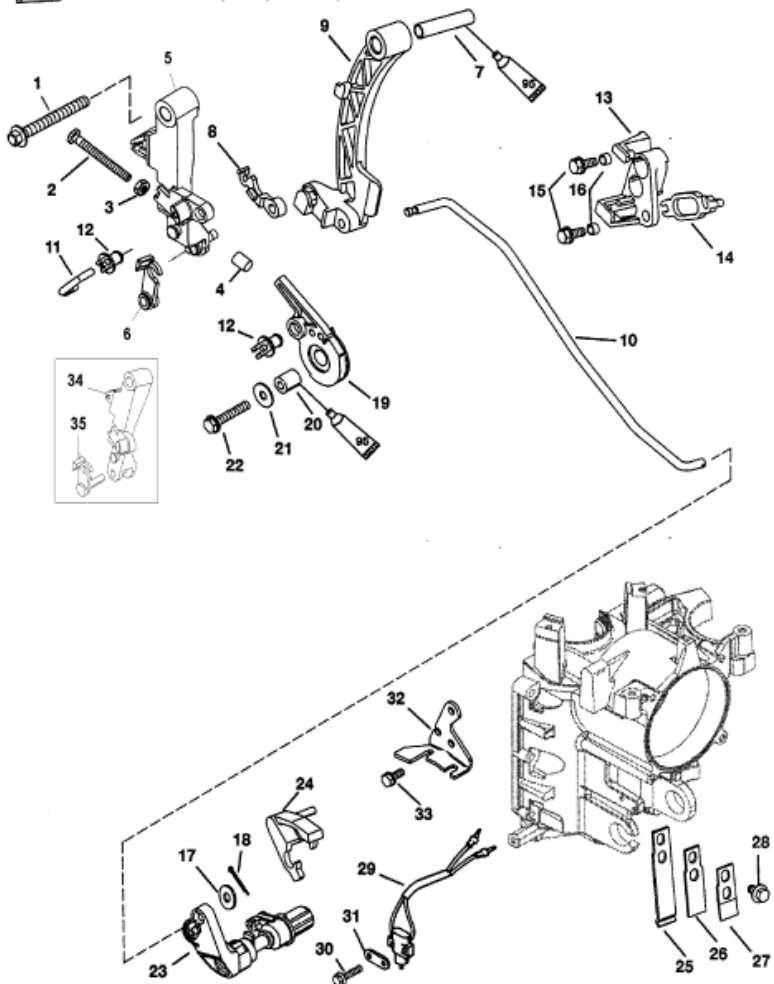


95 Chemtool Duralube Special (92-824501)



Parts List

Ref	Class	Part	Description	Qty	Comment	Footnote
1	10	40011158	SCREW (M8 X 70)	1	(ELECTRIC NON HANDLE)	
2	10	814776	SCREW (M6 X 55)	1	(ELECTRIC NON HANDLE)	
3	11	40119 6	NUT	1	(ELECTRIC NON HANDLE)	
4		42942	CAP	1	(ELECTRIC NON HANDLE)	
5		822682A 4	THROTTLE LEVER	1	(ELECTRIC NON HANDLE)(DESII	
6		883160	RETAINER	1	(ELECTRIC NON HANDLE)(DESII	
7	23	825078	BUSHING	1	(ELECTRIC NON HANDLE)	
8		822459	RETAINER	1	(ELECTRIC NON HANDLE)	
9		825957 1	SHIFT LEVER	1	(ELECTRIC NON HANDLE)	
10		826271	SHIFT ROD	1	(ELECTRIC NON HANDLE)	
11		830307	THROTTLE ROD	1	(ELECTRIC NON HANDLE)	
12	23	93248 1	SWIVEL BUSHING	2	(ELECTRIC NON HANDLE)	
13		827706	BRACKET	1	(ELECTRIC NON HANDLE)	
14		98889	LATCH	1	(ELECTRIC NON HANDLE)	
15	10	824832 4	SCREW (M6 X 16)	2	(ELECTRIC NON HANDLE)	
16	23	15885	SLEEVE	2	(ELECTRIC NON HANDLE)	
17	12	29245	WASHER	1	(ELECTRIC NON HANDLE)	
18	18	21071	COTTER PIN	1	(ELECTRIC NON HANDLE)	
19		830305	THROTTLE CAM	1		
20	23	822389	BUSHING	1		
21	12	40023 16	WASHER	1		
22	10	40011131	SCREW (M6 X 35)	1		
23		826588A 4	HORIZONTAL SHIFT SHAFT	1		
24		827707 1	RETAINER	1		
25	24	826077	SPRING	1		
26	24	824993	SPRING	2		
27		824994	PLATE	1		
28	10	40011107	SCREW (M5 X 16)	2		
29	87	813960A 3	SWITCH	1	(ELECTRIC HANDLE MODELS)	
30	10	40011 68	SCREW (M3 X 20)	2	(ELECTRIC HANDLE MODELS)	
31		824923	PLATE-SWITCH	1	(ELECTRIC HANDLE MODELS)	
32		821494 3	BRACKET-THROTTLE CABLE	1	(HANDLE MODELS)	
33	10	824832 4	SCREW (M6 X 16)	1	(HANDLE MODELS)	
34		822682 2	THROTTLE LEVER	1	(ELECTRIC NON HANDLE)(DESII	
35		826587	RETAINER	1	(ELECTRIC NON HANDLE)(DESII	